

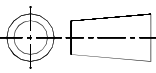
FLUIDCHEM VALVES (I) Pvt. Ltd.

ISO 9001-2008 COMPANY

2&3 Manish Indl.Estate No.1, Navghar, Vasai (East), Dist. Thane-401210,
Maharashtra, India. Phone:0250-2390012, Telefax:0250-2391053 ,
E-mail :fluidchem.valves@gmail.com/fluidchem@mtnl.net.in

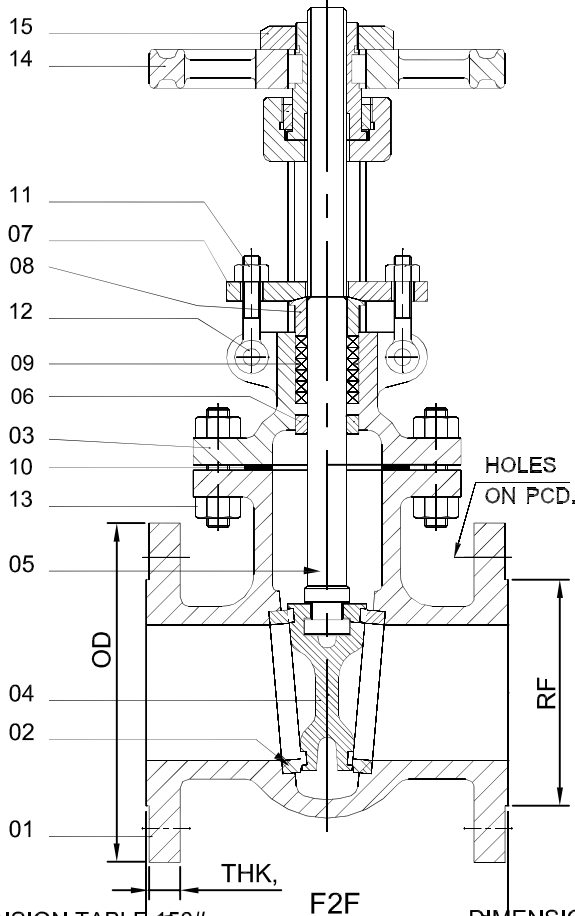
DRN
NIZAM

DATE
27/02/2013



GATE VALVE 150#/300#/600#

DRG. NO :FVIL/GV/25-400



MATERIAL OF CONSTRUCTION

SR.NO.	PARTS NAME	MATERIALS		
01	BODY	A216-WCB	A351-CF8	A351-CF8M
02	SEAT RING	WCB+13%CR	A351-CF8	A351-CF8M
03	BONNET	A216-WCB	A351-CF8	A351-CF8M
04	WEDGE	WCB+13%CR	A351-CF8	A351-CF8M
05	STEM	A276-410	A216-CF8	A276-316
06	BACK SEAT NUT	A276-410	A276-304	A276-316
07	GLAND FLANGE	WCB	SS 304	SS 316
08	GLAND BUSH	A276-410	A276-304	A276-316
09	STEM PACKING	GRAPHITE RINGS (BRAIDED&MOULDED)		
10	GASKET	SS+GRAPHITE FILLED		
11	EYE BOLT WITH NUT	A193-B7/A194-2H	A193-B8/A194-8	A193-B8M/A194-8M
12	EYE BOLT PIN	A276-410	A276-410	A276-410
13	FULL THREAD STUD WITH 2HEAVY NUTS	A193-B7/A194-2H	A193-B8/A194-8	A193-B8M/A194-8M
14	HAND WHEEL	CAST STEEL		
15	HAND WHEEL LOCK NUT	MALEABLE IRON/FABRICATED MS.		

TESTING

PRESSURE RATING	HYDROSTATIC SHELL TEST	HYDROSTATIC SEAT TEST	HYDROSTATIC BACK SEAT TEST
	Kg/CM2	Kg/CM2	Kg/CM2
150#	31	22	24
300#	78	56	62
600#	155	112	123

DIMENSION TABLE 150#

DIMENSION TABLE 300#

DIMENSION TABLE 600#

SIZE	F2F	OD	RF	THK,	PCD	HOLES
25	127	108	51	12	79.2	16X4
40	165	127	73	14	98.5	16X4
50	178	152.4	92	18	120.5	19X4
65	191	178	105	18	139.7	19x4
80	203	190.5	127	19	152.4	19x4
100	229	229	157	24	190.5	19x8
150	267	279.3	216	25	241.3	22x8
200	292	343	270	29	298.4	22x8
250	330	406.4	324	30	362	25x12
300	356	483	381	32	431.8	25x12
350	Available on Request					
400	Available on Request					

SIZE	F2F	OD	RF	THK,	PCD	HOLES
25	165	124	51	17.5	88.9	19X4
40	190	156	73	20.6	114.3	22X4
50	216	165	92	22.3	127	19X8
65	241	190.5	105	25.4	149.2	22x8
80	282	209.5	127	28.6	168.3	22x8
100	305	254	157	31.8	200	22x8
150	403	317.5	216	36.3	269.8	22x12
200	419	381	270	41.3	330	25x12
250	457	444.5	324	47.7	387.3	25x16
300	502	521	381	50.8	405.8	32x16
350	Available on Request					
400	Available on Request					

SIZE	F2F	OD	RF	THK,	PCD	HOLES
25	216	124	51	18	88.9	19x4
40	241	156	73	22	114.3	22x4
50	292	165	92	25	127	19x8
65	330	190	105	28	149	22x8
80	356	210	127	32	168	22x8
100	432	273	157	38	216	25x8
150	559	356	216	48	292	28x12
200	660	419	270	56	349	32x12
250	787	508	324	64	432	35x16
300	838	559	381	67	489	35x20
350	Available on Request					
400	Available on Request					

CONFORMITY TO CODES & STANDARDS

- 1) GENERAL DESIGN :- API 600
- 2) TESTING :- API 598
- 3) TYPE :- BOLTED BONNET, OS & Y, FLEXIBLE WEDGE.
- 4) RATING :- CLASS 150,300,600
- 5) FACE TO FACE :- ASME B 16.10
- 6) PRESSURE & TEMPERATURE RATING :- ASME B 16.34 (STANDARD CLASS)
- 7) FLANGE STANDARD CONFORMITY :- ASME B 16.5

NOTE:- ALL DIM. ARE IN MM

THIS DRAWING IS PROPERTY OF FLUIDCHEM VALVES (I) PVT. LTD.

FLUIDCHEM VALVES (I) PVT. LTD. RESERVES RIGHTS OF USE, CHANGE & MODIFY PRODUCT DESIGN OR PRODUCT WITHOUT PRIOR NOTICE.

CHECKED BY :-

APPROVED :-