

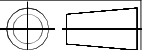
# FLUIDCHEM VALVES ( I ) Pvt. Ltd.

ISO 9001-2008 COMPANY

2&3 Manish Indl.Estate No.1, Navghar, vasai (East), Dist. Thane-401210,  
Maharashtra India. Phone:0250-2390012, Telefax:0250-2391053 ,  
E-mail :fluidchem@mtnl.net.in / fluidchem.valves@gmail.com

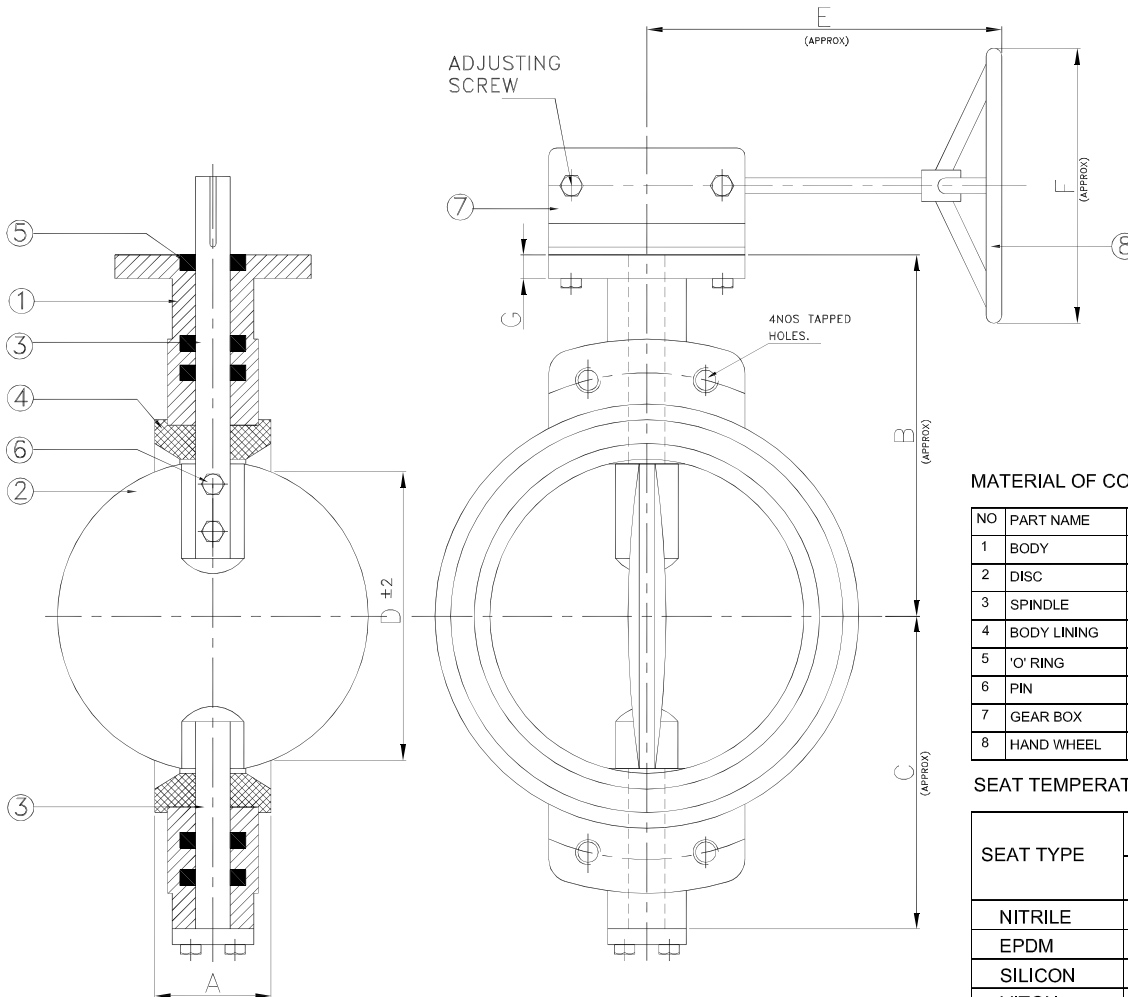
DRN  
NIZAM

DATE  
27/07/2013



WAFER TYPE BUTTER FLY VALVE.

DRG. NO : FVIL/BFV-WAFER/500-800



NOTE : ALL DIMENSION ARE IN MM.

### MATERIAL OF CONSTRUCTION

NO	PART NAME	MATERIAL
1	BODY	CAST IRON/CAST STEEL/S.S.304-316
2	DISC	CAST IRON/CAST STEEL/S.S.304-316
3	SPINDLE	SS 410/304/316
4	BODY LINING	NITRILE/E.P.D.M./SILICON/VITON/HYPALON
5	'O' RING	NITRILE / E.P.D.M.
6	PIN	S.S.304/316
7	GEAR BOX	CAST IRON
8	HAND WHEEL	M.S. FABRICATED

### SEAT TEMPERATURE RANGE

SEAT TYPE	TEMPERATURE RANGE	
	Min.	Max.
NITRILE	-13°F(-25°C)	212°F(100°C)
EPDM	-13°F(-25°C)	250°F(120°C)
SILICON	-58°F(-50°C)	356°F(180°C)
VITON	-23°F(-5°C)	392°F(200°C)
HYPALON	-4°F(-20°C)	250°F(120°C)

### TESTING

PRESSURE RATING	HYDROSTATIC SHELL TEST		HYDROSTATIC SEAT TEST	
	Kg/CM2	PSI	Kg/CM2	PSI
PN16	22	310	16	225
PN10	15	210	10	140

SIZE		A	B	C	D	E	F	G	FLANGE MOUNTING (I.S.O 5211)
MM	INCH								
500	20"	127	465	405	470	370	500	26	F16
600	24"	154	540	460	370	350	600	26	F16
700	28"	229	565	515	660	381	500	28	F16
800	32"	241	588	650	760	396	600	28	F25

### CONFORMITY TO CODES & STANDARDS

- 1) GENERAL DESIGN & MANUFACTURE :- BS 5155 / API 609 / EN 593 / IS 13095
- 2) VALVE FACE TO FACE DIMENSION :- BS 5155 / ISO 5752 / API 609
- 3) TOP FLANGE DRILLING :- ISO 5211
- 4) VALVE INSPECTION & TESTING :- BS 6755 Part - I / API 598 / EN 12266-1
- 5) FLANGE STANDARD CONFORMITY :- ANSI 150 / ANSI 125 / BS 10 TAB D & E  
IS 6392 NP 0.6 / 1.0 / 1.6

THIS DRAWING IS PROPERTY OF FLUIDCHEM VALVES ( I ) PVT. LTD.  
FLUIDCHEM VALVES ( I ) PVT. LTD. RESERVES RIGHTS OF USE,CHANGE & MODIFY PRODUCT DESIGN OR PRODUCT WITHOUT PRIOR NOTICE.

CHECKED BY :-

APPROVED :-