

# FLUIDCHEM VALVES ( I ) Pvt. Ltd.

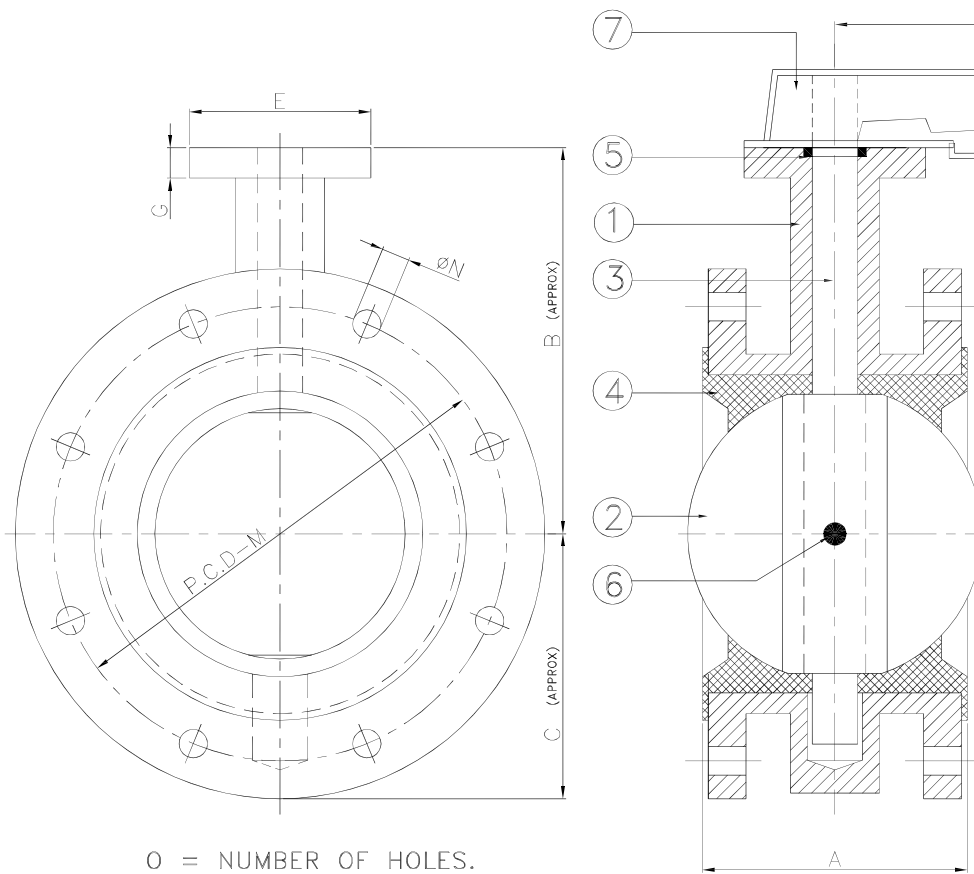
ISO 9001-2008 COMPANY

2&3 Manish Indl.Estate No.1, Navghar, vasai (East), Dist. Thane-401210,  
Maharashtra India. Phone:0250-2390012, Telefax:0250-2391053 ,  
E-mail :fluidchem@mtnl.net.in / fluidchem.valves@gmail.com

DRN NIZAM      DATE 27/07/2013

DOUBLE FLANGE CENTRIC DISC  
TYPE BUTTER FLY VALVE.

DRG. NO :FVIL/BFV-DF/50-200



### MATERIAL OF CONSTRUCTION

NO	PART NAME	MATERIAL
1	BODY	CAST IRON/CAST STEEL/S.S.304-316
2	DISC	CAST IRON/CAST STEEL/S.S.304-316
3	SPINDLE	SS 410/304/316
4	BODY LINING	NITRILE/E.P.D.M./SILICON/VITON/HYPALON
5	'O' RING	NITRILE / E.P.D.M.
6	PIN	S.S.304/316
7	HANDLE	M.S.FABRICATED

### SEAT TEMPERATURE RANGE

SEAT TYPE	TEMPERATURE RANGE	
	Min.	Max.
NITRILE	-13°F(-25°C)	212°F(100°C)
EPDM	-13°F(-25°C)	250°F(120°C)
SILICON	-58°F(-50°C)	356°F(180°C)
VITON	-23°F(-5°C)	392°F(200°C)
HYPALON	-4°F(-20°C)	250°F(120°C)

### TESTING

PRESSURE RATING	HYDROSTATIC SHELL TEST		HYDROSTATIC SEAT TEST	
	Kg/CM2	PSI	Kg/CM2	PSI
PN16	22	310	16	225
PN10	15	210	10	140

NOTE : ALL DIMENSION ARE IN MM.

SIZE		A	B	C	E	F	G	FLANGE MOUNTING (I.S.O 5211)
MM	INCH							
50	2"	108	125	85	65	180	15	F05
65	2½"	112	135	95	65	180	15	F05
80	3"	114	155	102	65	215	15	F05
100	4"	127	160	112	65	215	15	F05
125	5"	140	180	134	65	265	15	F05
150	6"	140	210	147	65	265	15	F05
200	8"	152	250	175	75	325	15	F07

NOTE :- M,N,O AS PER REQUIREMENT

M = \_\_\_\_\_  
N = \_\_\_\_\_  
O = \_\_\_\_\_

### CONFORMITY TO CODES & STANDARDS

- 1) GENERAL DESIGN & MANUFACTURE :- BS 5155 / API 609 / EN 593 / IS 13095
- 2) VALVE FACE TO FACE DIMENSION :- BS 5155 / ISO 5752 / API 609
- 3) TOP FLANGE DRILLING :- ISO 5211
- 4) VALVE INSPECTION & TESTING :- BS 6755 Part - I / API 598 / EN 12266-1
- 5) FLANGE STANDARD CONFORMITY :- ANSI 150 / ANSI 125 / BS 10 TAB D & E  
IS 6392 NP 0.6 / 1.0/1.6

THIS DRAWING IS PROPERTY OF FLUIDCHEM VALVES ( I ) PVT. LTD.  
FLUIDCHEM VALVES ( I ) PVT. LTD. RESERVES RIGHTS OF USE, CHANGE & MODIFY PRODUCT DESIGN OR PRODUCT WITHOUT PRIOR NOTICE.

CHECKED :-

APPROVED :-